

Planning & Ideas Guide

SYMBIOTE®



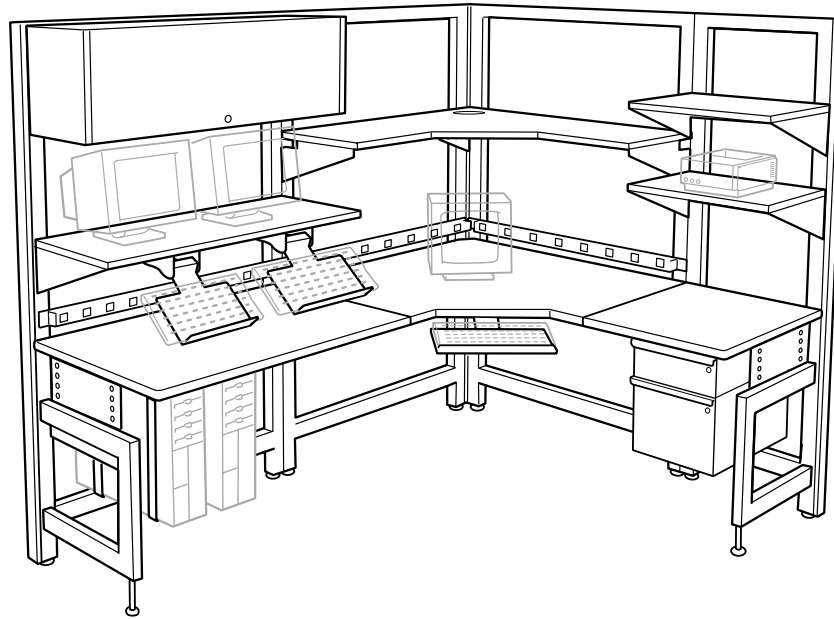
**Technical Furniture and
Infrastructure Solutions for
the InBetween Workplace**

▶▶
FF

FF

Solutions

Table of Contents



Symbiote Technical Furniture combines a modular system of frames and frame-supported components to define, organize and divide work spaces.

Designed for technical environments, our furniture supports heavily loaded applications while enabling the convenience of visual and physical accessibility to equipment and cables.

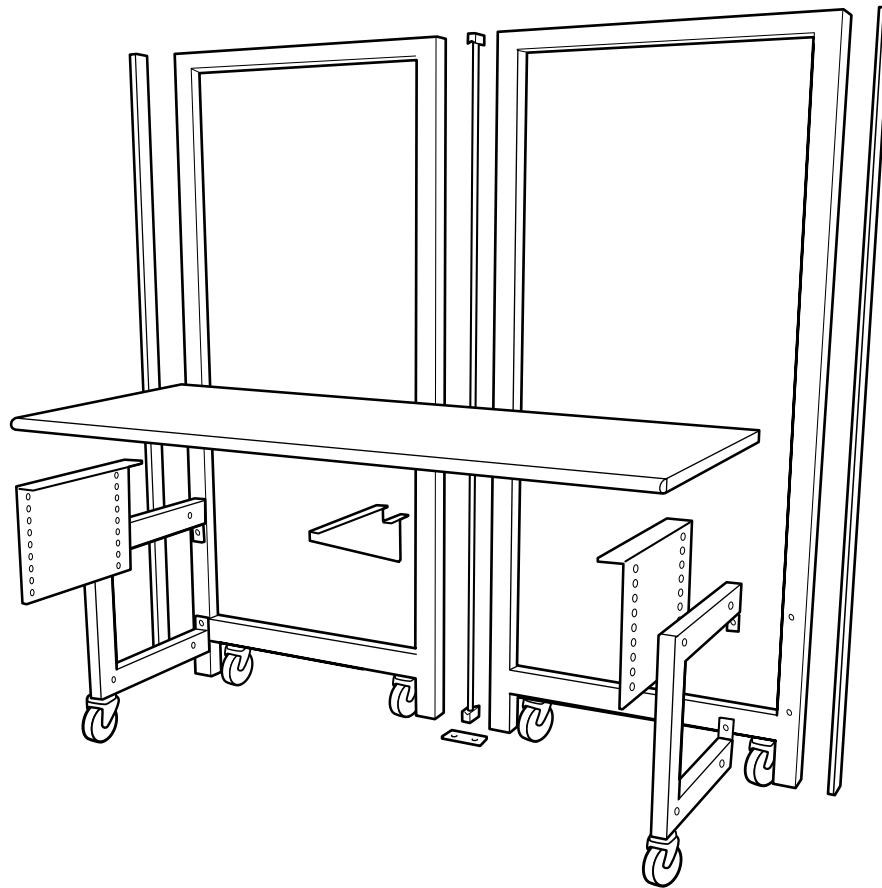
| | |
|---|-----------------------|
| <i>About U Series Stations.....</i> | <i>2</i> |
| <i>About ErgoStat Benches.....</i> | <i>3</i> |
| <i>How to Design Work Stations.....</i> | <i>4 - 5</i> |
| <i>Ideas for LAN Stations.....</i> | <i>6 - 12</i> |
| <i>Ideas for Lab/Engineering Stations.....</i> | <i>13 - 17</i> |
| <i>Ideas for Manufacturing Stations.....</i> | <i>18 - 23</i> |
| <i>Ideas for Dispatch Center.....</i> | <i>24</i> |

SYMBIOTE®

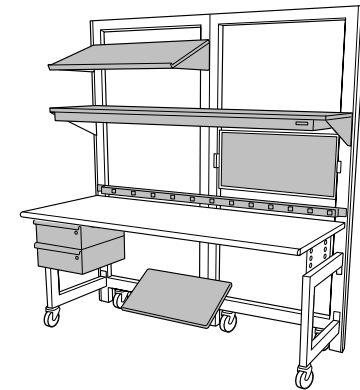
www.symbiote.com
300 North Centennial Street
Zeeland, MI 49464 U.S.A.
800-283-2434

FF*Solutions*

About Ultra Frame Stations



Ultra Frame Stations may be specified with glides, or industrial casters for quick, easy mobility.



Suggested Accessories

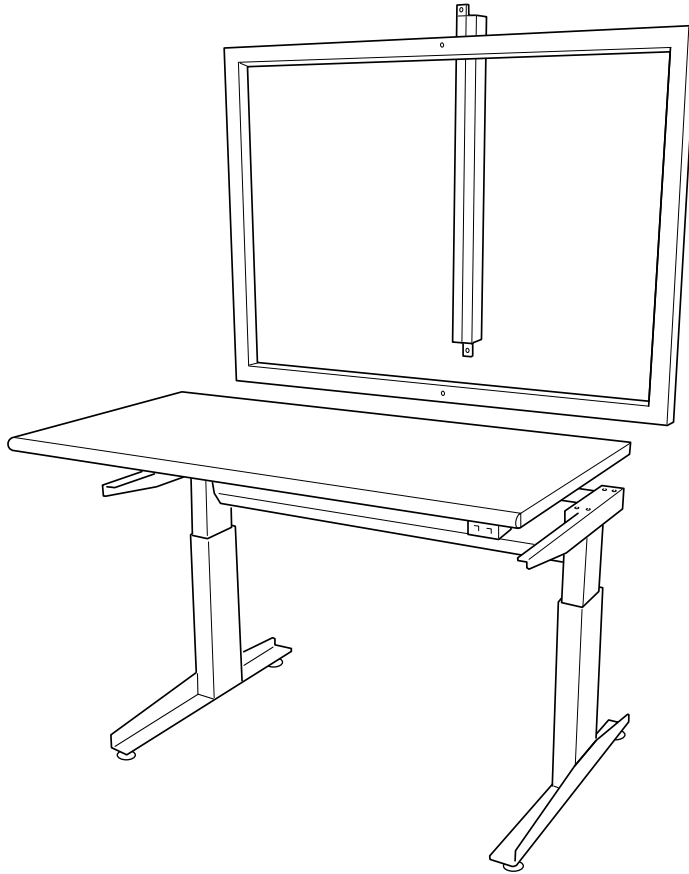
- Multi-angle Shelf
- Task Light
- Multi-function Shelf
- Tackboard
- Electrical Plug Strip
- Suspended Task Drawers
- Suspended Footrest

Accessories are available in five widths (24", 30", 36", 48" and 60") corresponding to all of our frame sizes.

Note that the 48" and 60" wide components can attach to a combined set of frames equalling the component's width.

Hanger Rails on the frames have slots at 1" increments, allowing vertical adjustment of frame hung components.

About ErgoStat Stations



A modular height adjustable table/bench system, ErgoStats combine a choice of caster or glide bases with Riser Frames to vertically support components.

Symbiote accessories are designed to work with all of our Ultra Frame styles, including ErgoStat Benches.

A Riser Spine can be used to divide the frame into smaller widths allowing for increased component capacity.

Hanger Rails on the Riser Frames have slots at 1" increments, allowing vertical adjustment of hung components.

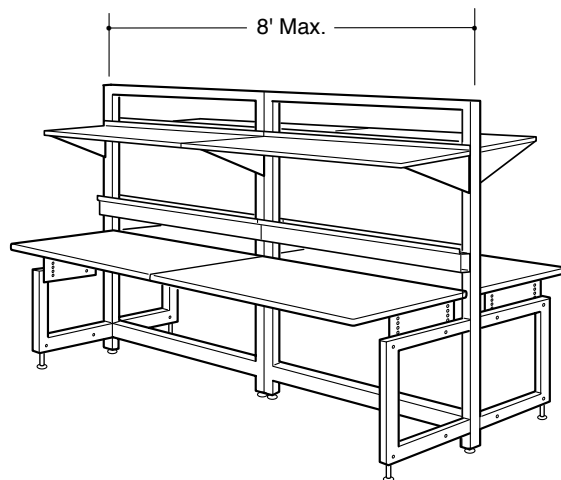
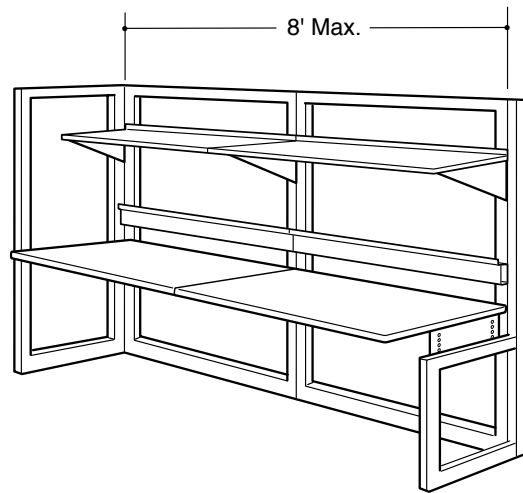
To maximize the surface space, a larger surface may be attached to a smaller ErgoStat base. For Example:

36" base supports a 36" to 72" surface
48" base supports a 48" to 72" surface
60" base supports a 60" to 96" surface
72" base supports a 72" to 96" surface

Note: Mounting holes for the Task Drawers will be compromised when using this strategy.

How to Design Work Stations

Work areas, benches or stations can be constructed in a number of ways because of the open-ended design of Symbiote Technical Furniture. We advise you to follow these guidelines for support and arrangement of components to ensure you have a safe and stable installation.



1 SUPPORT. A frame or leg that is perpendicular to the main run of panels ensures proper support. Following are two ways to support a panel run:

- Bolt a C-leg to the face of an Ultra Frame.
- Use a Rigid Panel Connector; 2-way, 3-way or 4-way to attach frames or panels at 90° angles.

ONE SIDED STATIONS. Support the loaded side of individual stations at each end and at the interval specified below that corresponds to the number of components to be used within that station.

BACK TO BACK STATIONS. Support both sides of the station at each end and on both sides at an appropriate interval as specified below.

ALL STATIONS WITH FRAME OR PANEL HEIGHTS UP TO 96". Support must equal the depth of the deepest load bearing component, most commonly the surface, but it can be a deep shelf.

8' intervals - support a maximum of 3 load bearing components per frame or panel.

10' intervals - support at maximum of 2 load bearing components per frame or panel.

12' intervals - NEVER support load bearing components, i.e. barrier walls.

FRAME LOAD CAPACITY. 1,000 lb. per frame, per side. Subtract the weight of the attached components to determine the weight of equipment that your station will safely store. To ensure stability, distribute equipment evenly within the station.

2 CONNECTION. Symbiote frames and panels are a true dimension system that is to say a 48" wide panel measures 48". Allow for the dimensional gains listed below when connecting modular frames to form stations.

EQUAL HEIGHT PANELS RUNNING IN A STRAIGHT LINE. Attach with Panel Connectors with no dimensional gain.

TWO PANEL CONNECTIONS AT 90° ANGLES. Attach with Rigid Corner connectors, matching the tallest frame. A 90° Rigid Connector adds 2-1/4" to each direction of the panel.

THREE PANEL CONNECTIONS AT 90° ANGLES. Attach with a 90° 3-way Rigid Connector. Where the panels abut each other, allow 2-5/8" in each direction and 2-1/4" for the panels perpendicular to the run.

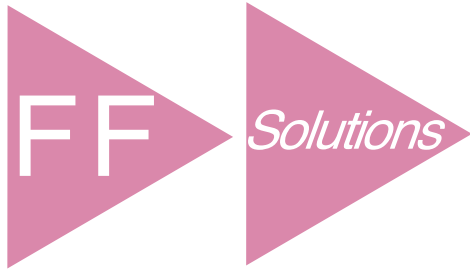
FOUR PANEL CONNECTIONS AT 90° ANGLES. Attaching panels with a 90° 4-way Rigid Connector adds 2-5/8" to each direction of the panel run.

OPEN FRAME CONNECTIONS.

- The C Leg bolts to the face of Ultra Frames. There is no dimensional gain with this type of connection.
- The Ultra Frame with Casters requires a Joiner Plate at all connections, in addition to the panel and corner connectors.

3 FINISHING PANELS AND OPEN FRAMES. End Covers hide the hardware on nonconnecting sides giving the station a finished look.

TWO FRAME, 90° CONNECTIONS WHEN FRAMES ARE OF UNEQUAL HEIGHT. Variable Height End Covers finish the exposed hardware on the tallest frame.



4 SURFACES AND THEIR SUPPORT.

The most widely specified surface depth is 30". A 36" deep top may be appropriate in cases where extra deep equipment will be stored. To maximize available work area on the station's work surface, we recommend placing large equipment on shelves positioned above the work surface.

SUPPORTS. Sold separately, because there are so many ways to support any given top. All surfaces attached to a station must be supported on both ends.

- ALL DEPTH SURFACES can be supported with Surface B Frame Brackets that bolts to C Legs. There are 3 heights available.
- ONLY 24" AND 30" DEPTH SURFACES can be suspended from the frame using the 24" Cantilever Supports that engage into the slots on the panel's hanger frame. They adjust in 1" increments.
- ALL 36" DEPTH SURFACES require careful planning. At least one side must be supported with a Surface B Support Bracket attached to a C Leg.
- SURFACES OVER 60" WIDE must also have a 18" depth minimum cantilever support centered between the two end supports.
- CORNER SURFACES are supported with two 24" Cantilever Supports on either side plus a corner bracket which is included with the corner surface.
- THE END OF A SURFACE ADJACENT TO A PANEL should be supported with a Work Surface Stretcher Bar. This method is preferred over a cantilever support.

5 COMPONENTS.

Most require minimal field assembly. There are a wide variety of components available to accessorize stations. From angled shelves to rack mount assemblies, all frame mounted components simply hook into the vertical slotted standard that runs the length of the panel frames and Riser Frames. You can adjust the positioning in one inch increments up and down the frame. Hanger clips prevent accidental dislodging of the components. In many instances the components fasten to the hanger clip with a screw, making installation more secure.

6 FINISHES.

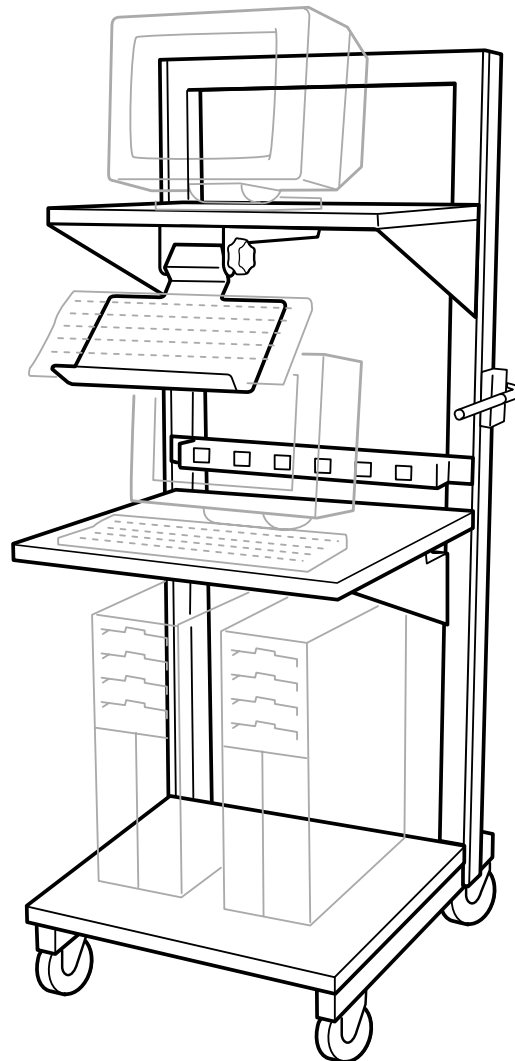
Choose from a wide assortment of paint colors and finishes, fabrics and laminates. For ESD sensitive environments, our frames, panels, support components and accessories can be specified with a dissipative finish. Tackboards and fabric panels are also available with dissipative fabrics.

FF

Solutions

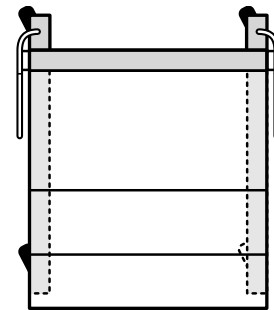
Cart

66"h x 24"w



Featured Components

- Mobile Frame Base with Casters and Handles
- Work Surface
- Electrical Plug Strip
- Multi-function Shelf
- Shelf Mounted Keyboard Tray



Plan View

SYMBIOTE®

www.symbiote.com

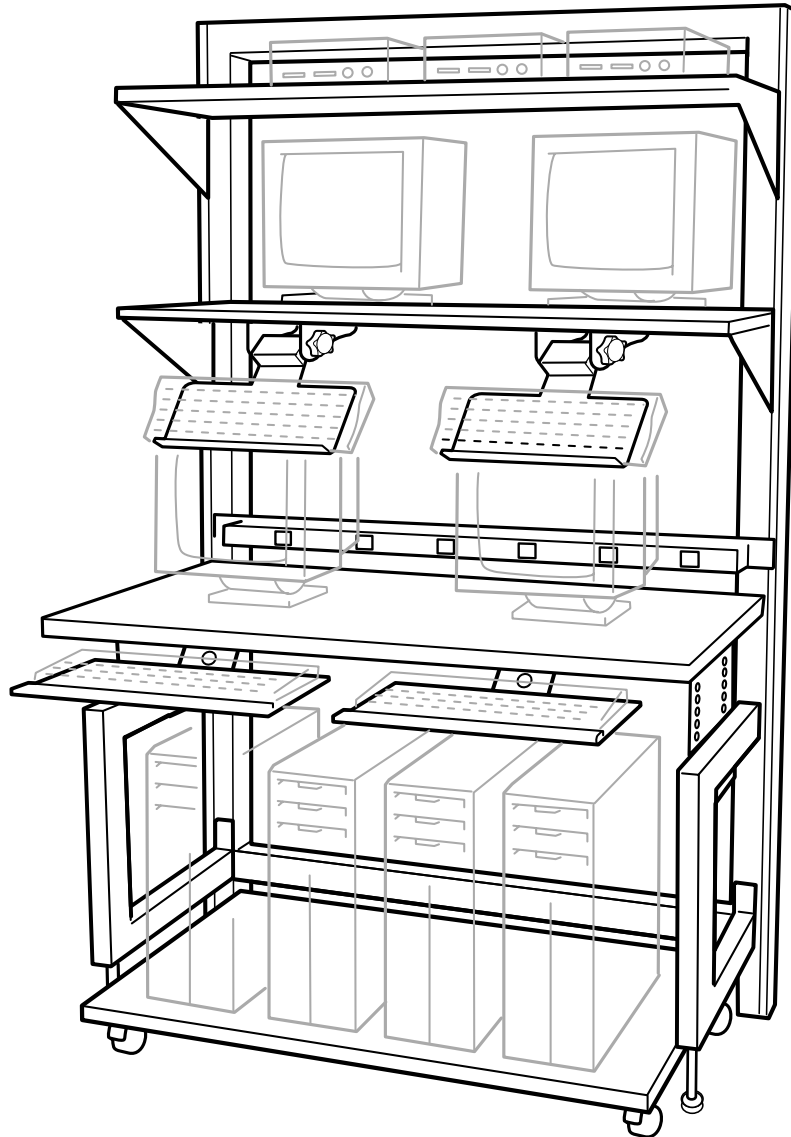
300 North Centennial Street
Zeeland, MI 49464 U.S.A.
800-283-2434

FF

Solutions

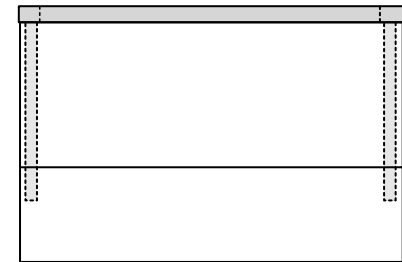
4' LAN Station

80" h x 48" w



Featured Components

- Ultra Frame
- Work Surface
- Electrical Plug Strip
- Surface Mounted Keyboard Trays
- Multi-function Shelves
- Shelf Mounted Keyboard Trays
- Tower Dolly



Plan View

SYMBIOTE®

www.symbiote.com

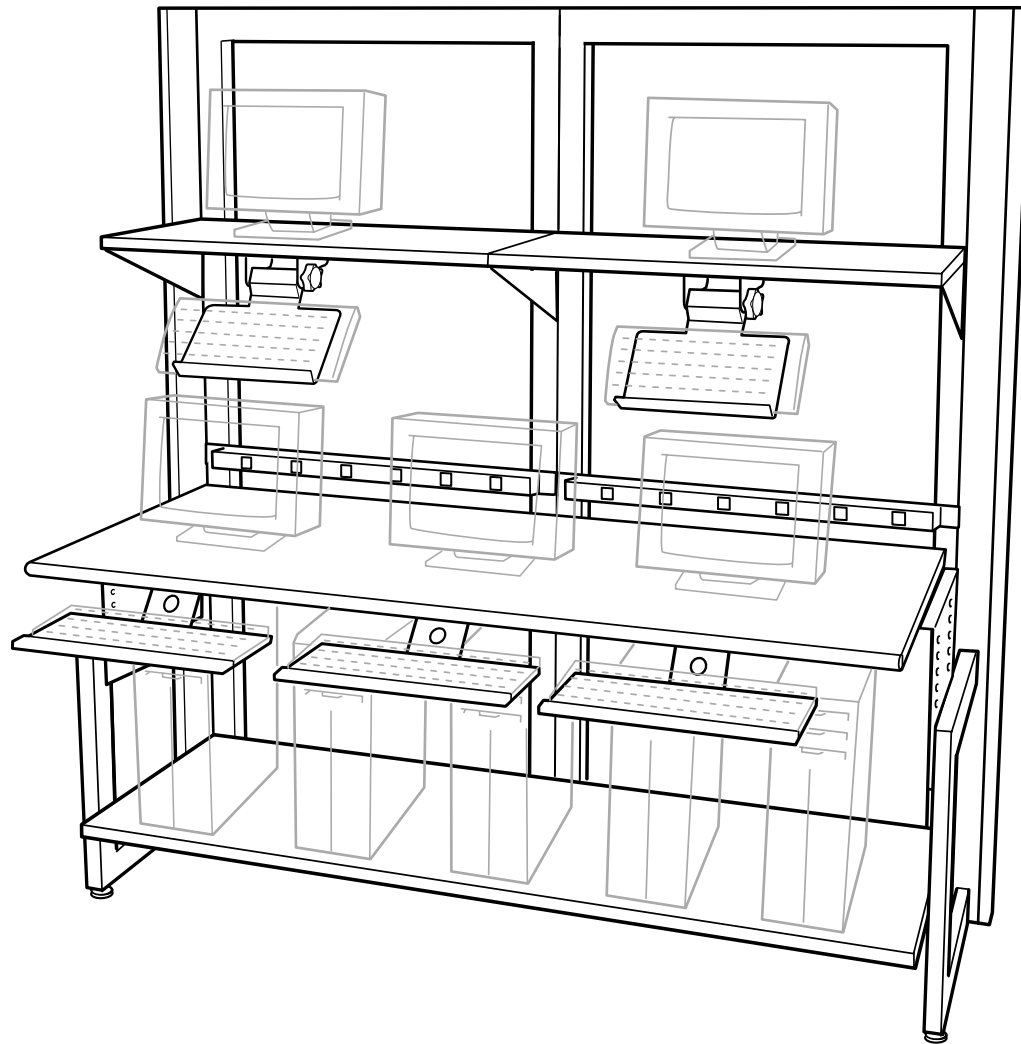
300 North Centennial Street
Zeeland, MI 49464 U.S.A.
800-283-2434

FF

Solutions

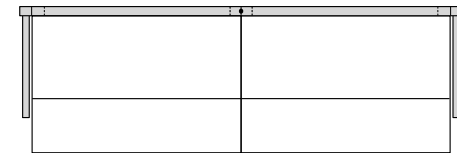
6' LAN Station

80" h x 72" w



Featured Components

- Ultra Frames
- Multiple Work Surfaces
- Surface Mounted Keyboard Trays
- Multi-function Shelves
- Shelf Mounted Keyboard Trays
- Multiple Electrical Plug Strips
- Tower Dolly



Plan View

SYMBIOTE®

www.symbiote.com

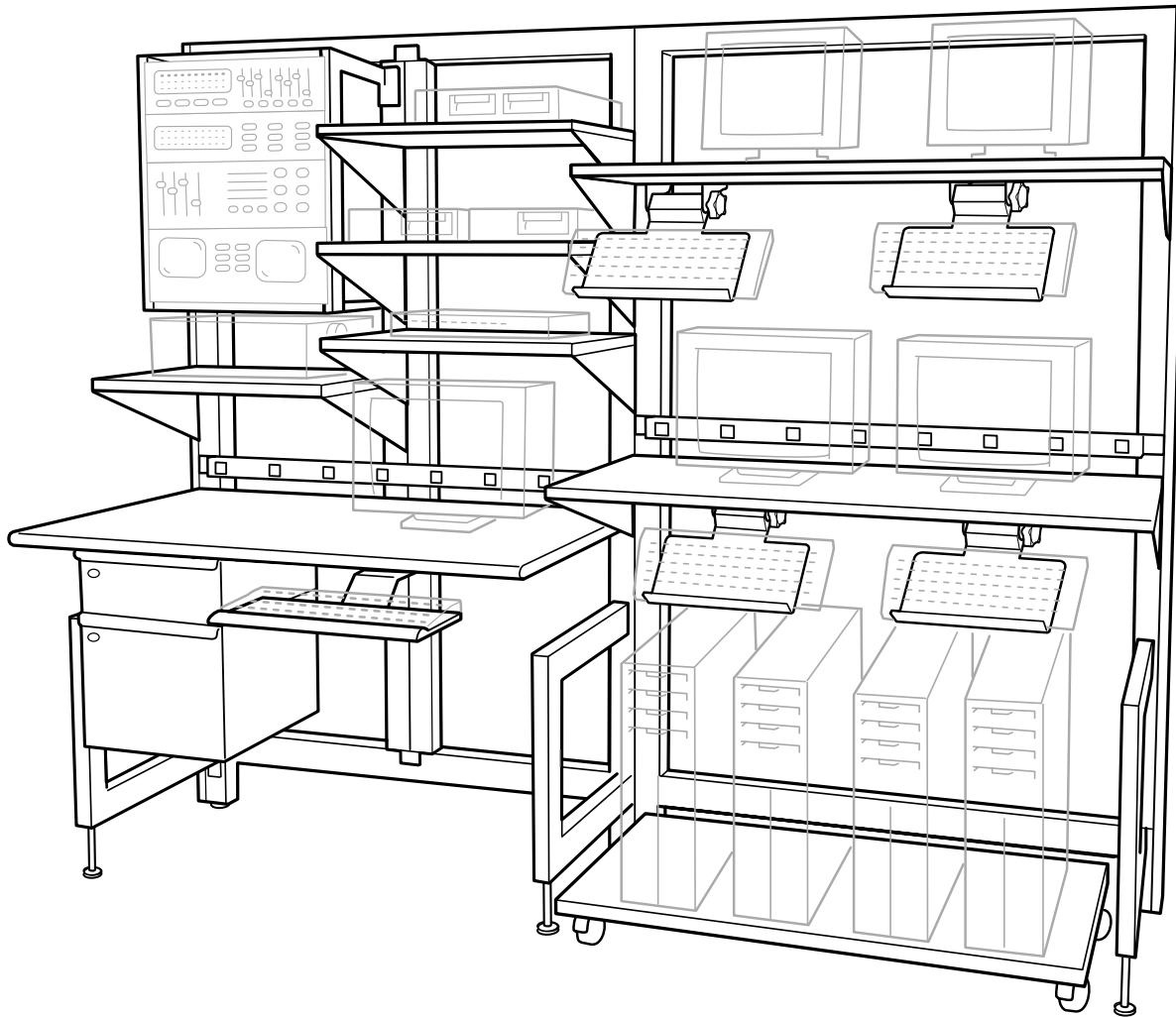
300 North Centennial Street
Zeeland, MI 49464 U.S.A.
800-283-2434

FF

Solutions

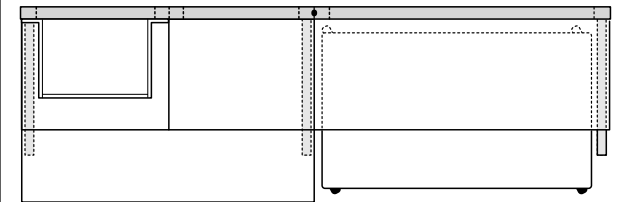
8' LAN Station

80" h x 96" w



Featured Components

- Ultra Frame
- Rack Mount Assembly
- Frame Spine
- Multiple Work Surfaces
- Multi-function Shelves
- Multiple Electrical Plug Strips
- Surface Mounted Keyboard Trays
- Shelf Mounted Keyboard Trays
- Suspended Task Drawers, TD612
- Tower Dolly



Plan View

SYMBIOTE®

www.symbiote.com

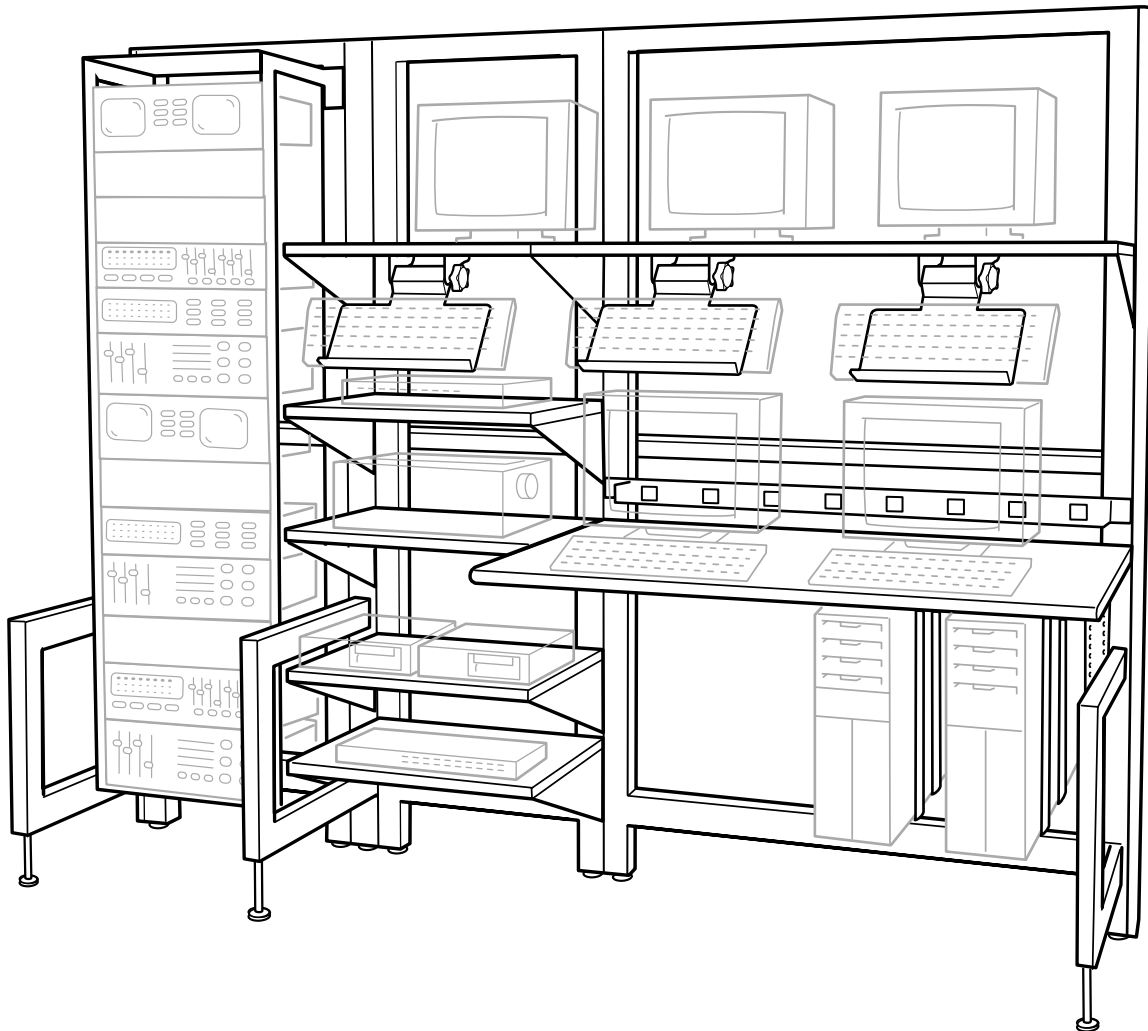
300 North Centennial Street
Zeeland, MI 49464 U.S.A.
800-283-2434

FF

Solutions

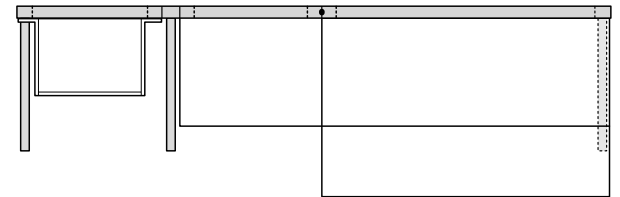
8' Network Station

80" h x 96" w



Featured Components

- Ultra Frames
- Full Height Rack Mount
- Work Surface
- Electrical Plug Strip
- Cable Trays and Cable Ducts
- Multi-function Shelves
- Shelf Mounted Keyboard Trays
- Vertical CPU Holders



Plan View

SYMBIOTE®

www.symbiote.com

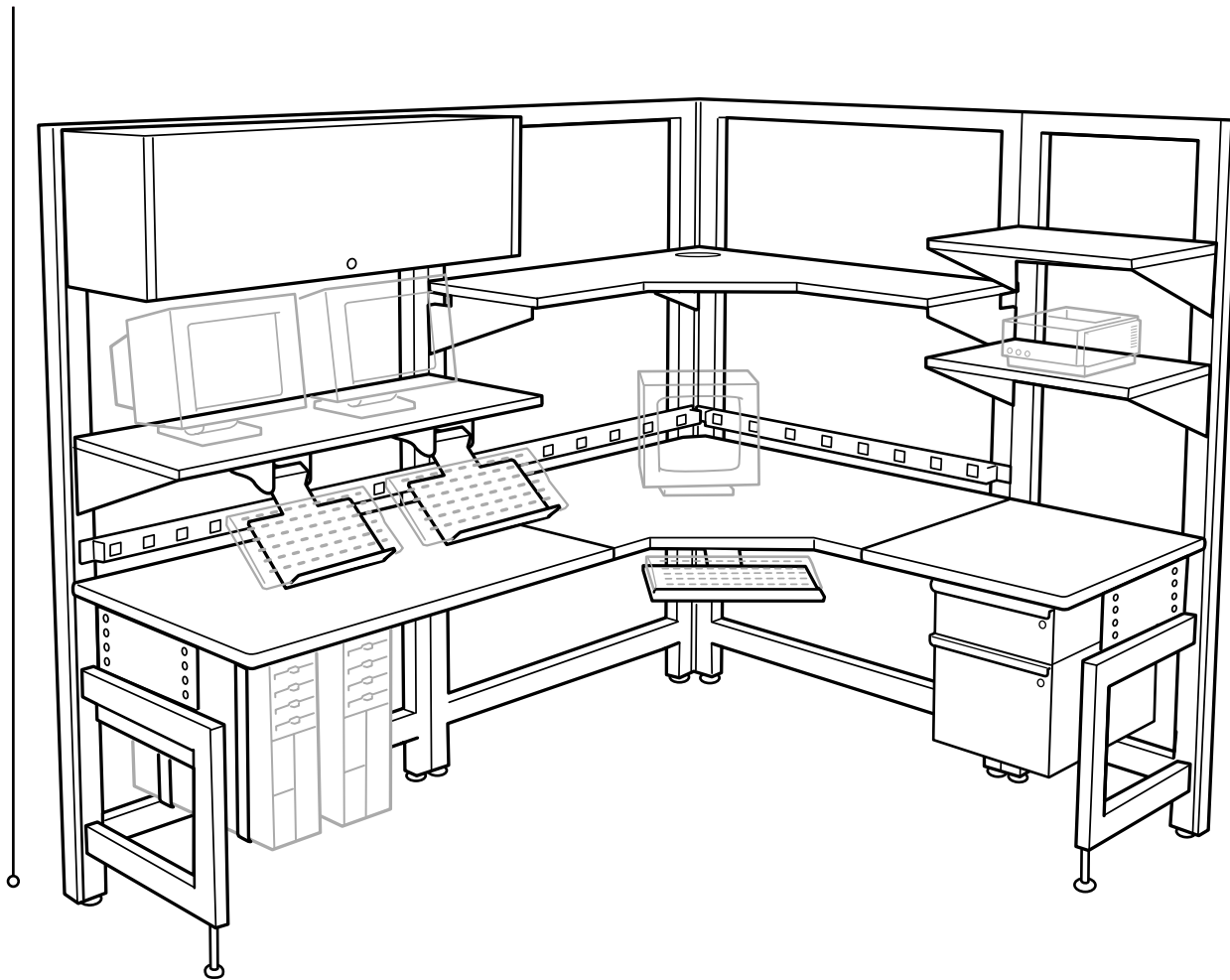
300 North Centennial Street
Zeeland, MI 49464 U.S.A.
800-283-2434

FF

Solutions

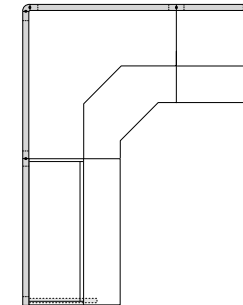
8' x 6' Corner Station

80" h x 96" w x 72" w



Featured Components

- Ultra Frame
- Corner Work Surface with Keyboard Tray
- Work Surfaces
- Corner Shelf
- Multiple Electrical Plug Strips
- Overhead Storage Cabinet
- Multi-function Shelves
- Shelf Mounted Keyboard Trays
- Suspended Task Drawer, TD612



Plan View

SYMBIOTE®

www.symbiote.com

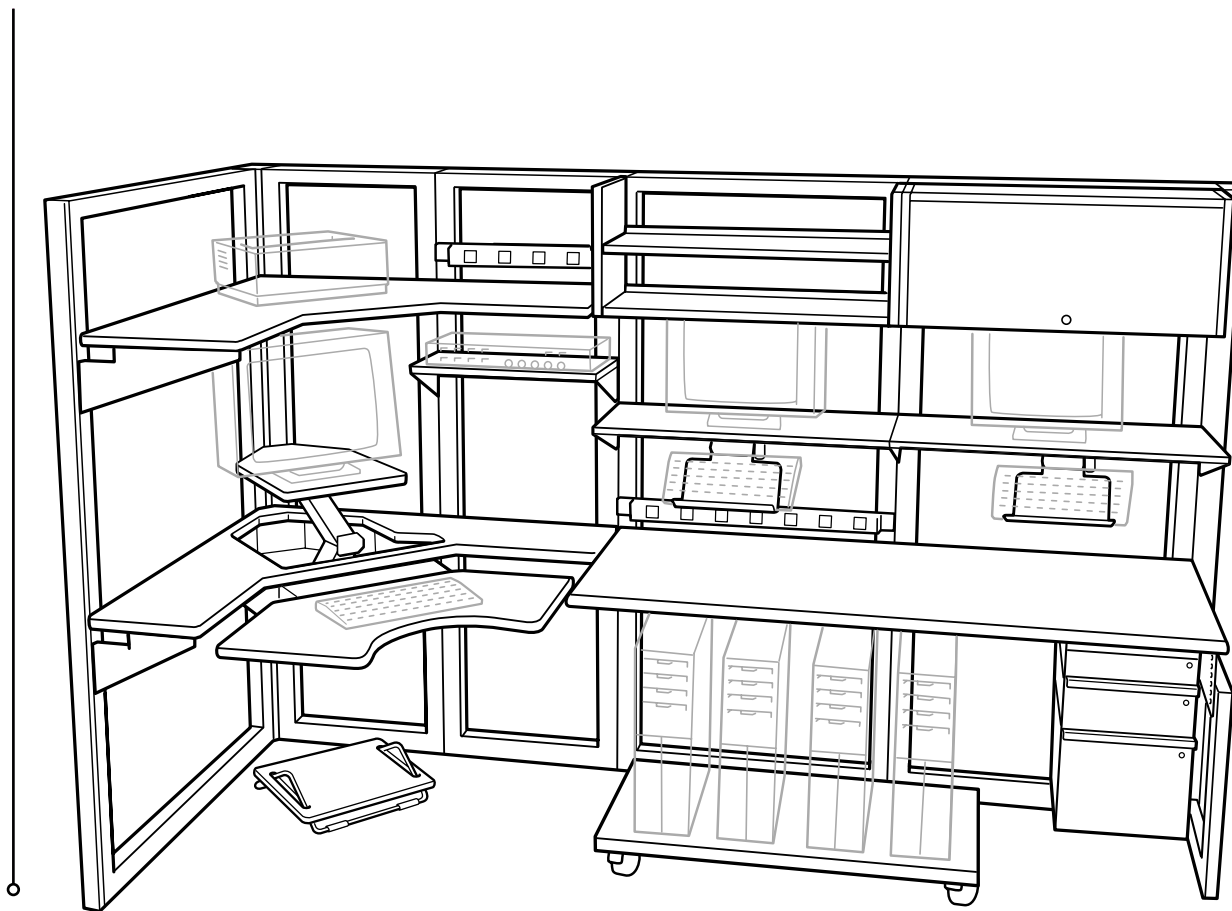
300 North Centennial Street
Zeeland, MI 49464 U.S.A.
800-283-2434

FF

Solutions

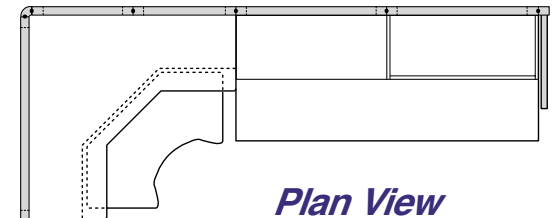
4' x 10' Corner Station

80" h x 48" w x 120" w



Featured Components

- Ultra Frame
- Work Surface
- PowerTop Adjustable Corner Work Surface
- Overhead Storage Cabinet
- Multiple Electrical Plug Strips
- Multi-function Shelves
- High Shelf with Add-on Shelf
- Corner Shelf
- Shelf Mounted Keyboard Trays
- Suspended Task Drawers, TD4612
- Tower Dolly
- Footrest



SYMBIOTE®

www.symbiote.com

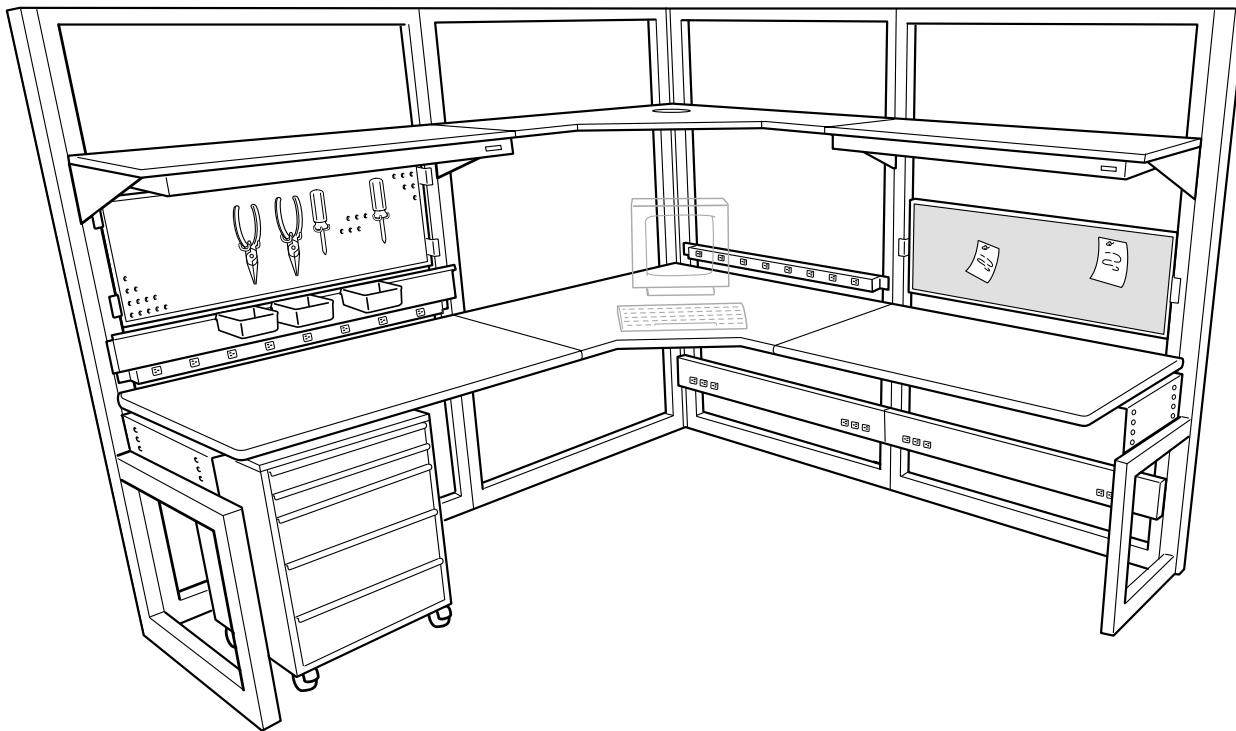
300 North Centennial Street
Zeeland, MI 49464 U.S.A.
800-283-2434

FF

Solutions

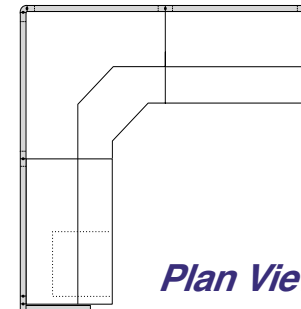
8' x 8' Corner Lab Station

80" h x 96" w x 96" w



Featured Components

- Ultra Frame
- Corner and Standard Work Surfaces
- Multi-function Shelves
- Corner Shelf
- Task Lights
- Pegboard
- Tackboard
- Bin Rail with Bins
- Utility Distributors
- Multiple Electrical Plug Strips
- Mobile Tote Frame with Totes



Plan View

SYMBIOTE®

www.symbiote.com

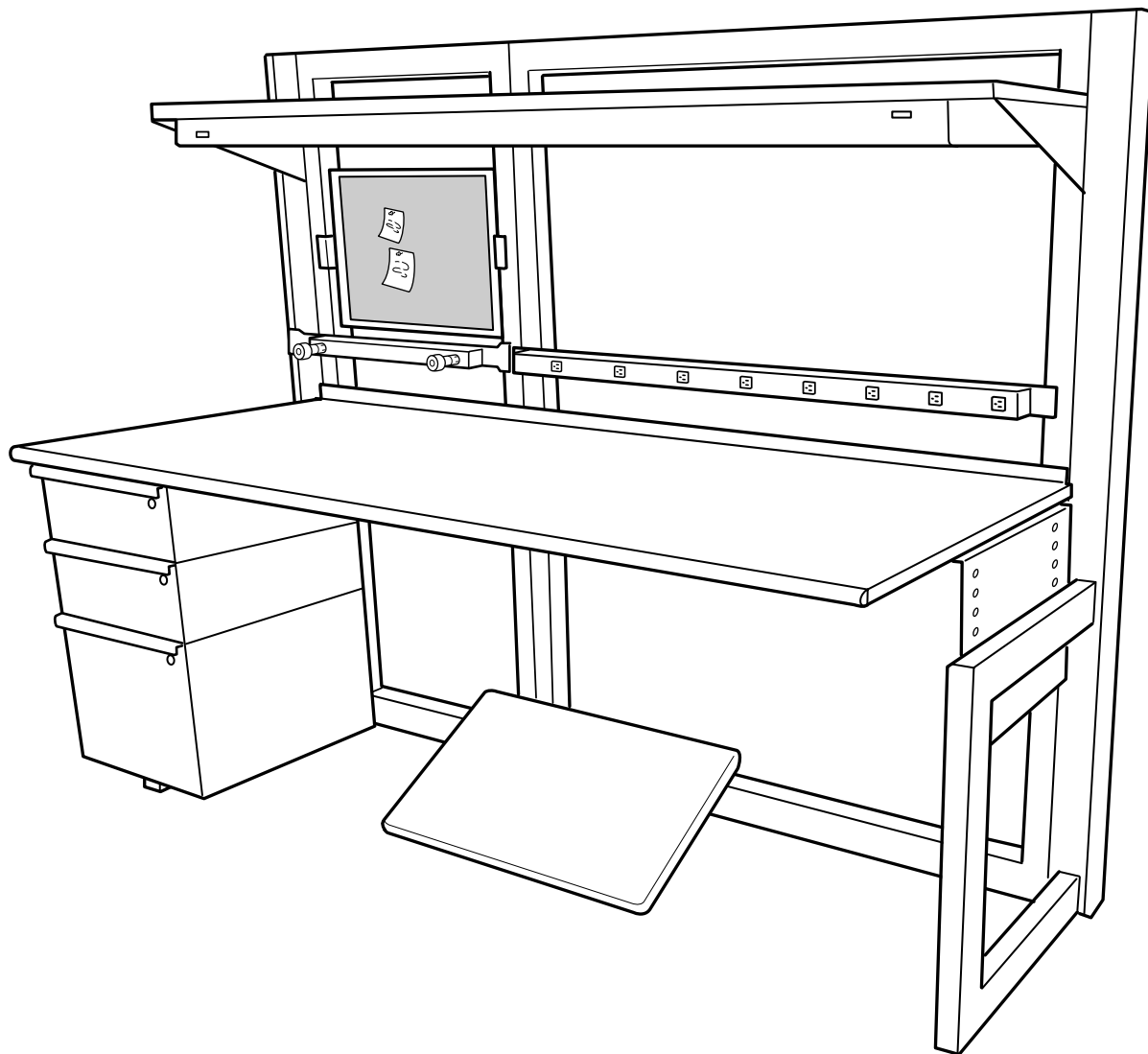
300 North Centennial Street
Zeeland, MI 49464 U.S.A.
800-283-2434

FF

Solutions

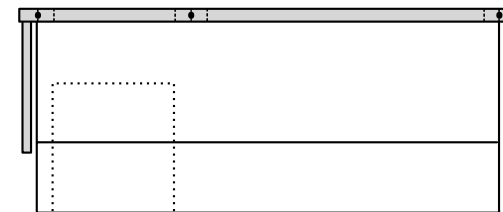
6' Lab Station

62" h x 72" w



Featured Components

- Ultra Frame
- C-legs
- Task Light
- Tackboard
- Work Surface
- Suspended Task Drawer, TD6612
- Electrical Plug Strip
- Suspended Footrest
- Air Strip



Plan View



www.symbiote.com

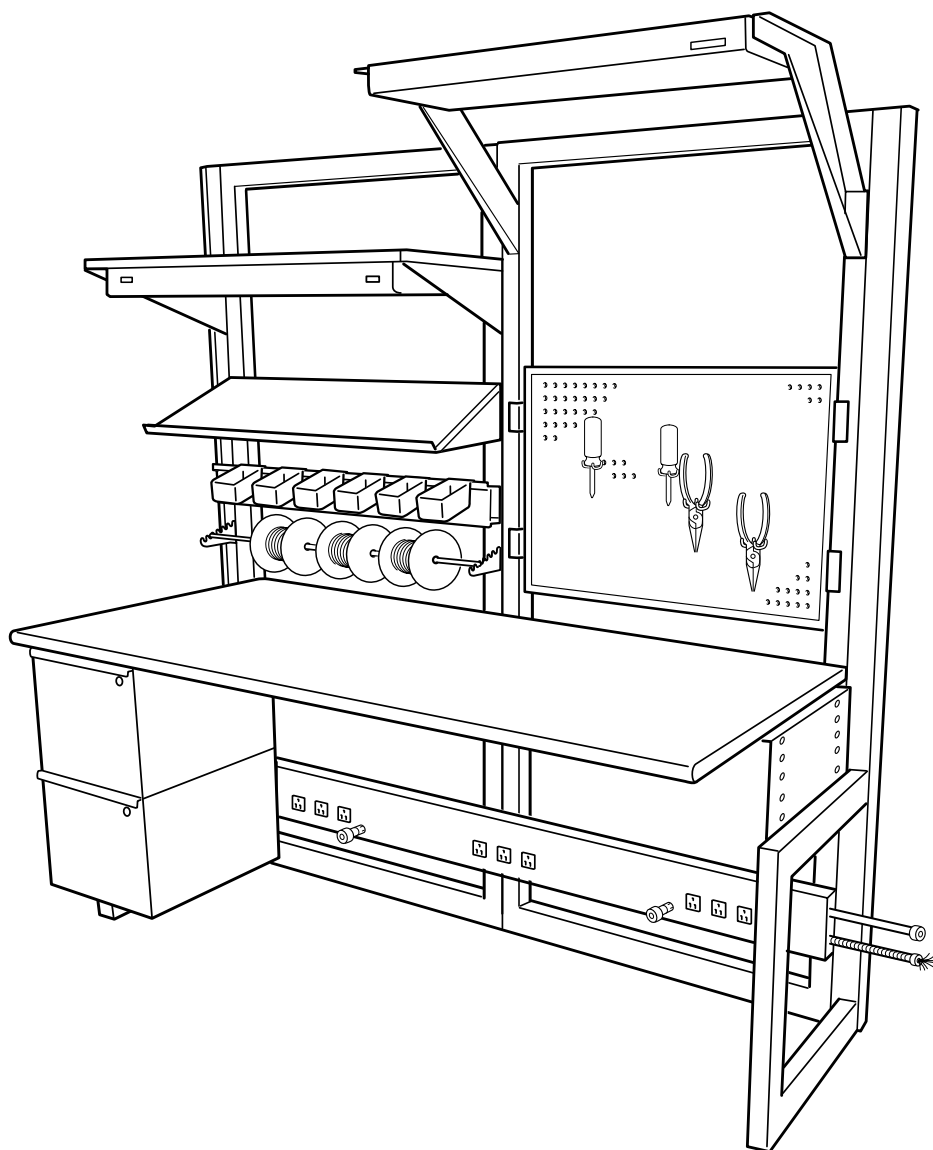
300 North Centennial Street
Zeeland, MI 49464 U.S.A.
800-283-2434

FF

Solutions

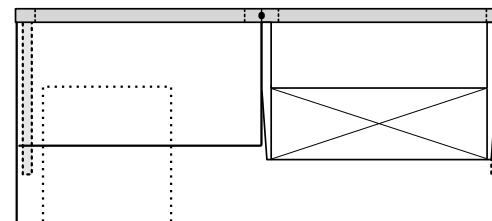
6' Lab Bench

80" h x 72" w



Featured Components

- Ultra Frame
- C-legs
- Task Light with Cantilever Brackets
- Pegboard
- Work Surface
- Suspended Task Drawer, TD1212
- Angled and Flat Shelves
- Utility Distributor with Quick Disconnect Fittings
- Dispensing Rail with Subcontainers
- Spool Holder



Plan View

SYMBIOTE®

www.symbiote.com

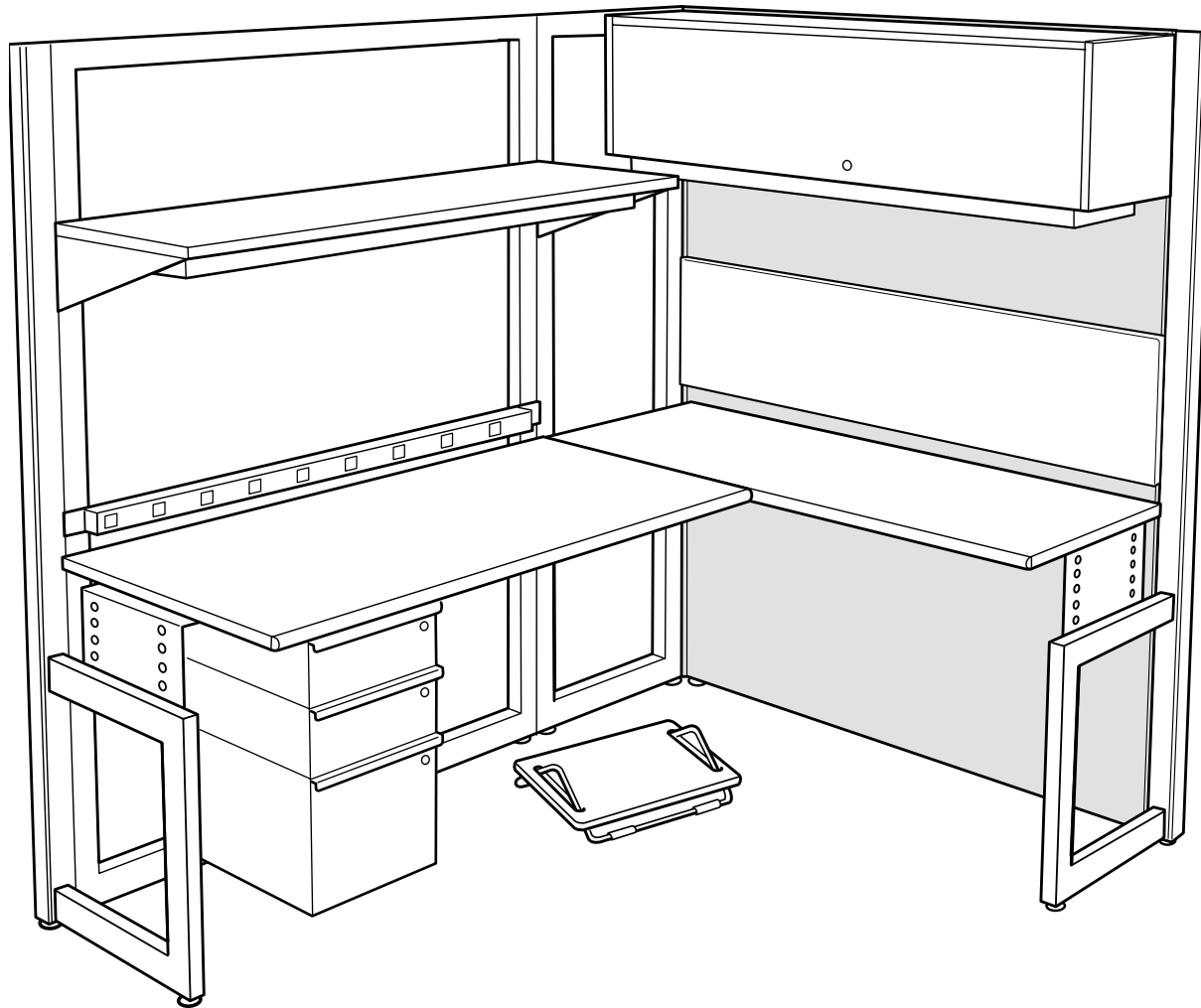
300 North Centennial Street
Zeeland, MI 49464 U.S.A.
800-283-2434

FF

Solutions

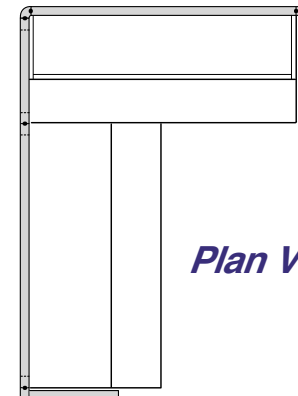
6' x 5' Corner Lab Station

80" h x 72" w x 60" w



Featured Components

- Ultra Frame and Fabric Panel
- Overhead Storage Cabinet
- Task Lights
- Tackboard
- Multiple Work Surfaces
- Multi-function Shelf
- Suspended Task Drawer, TD6612
- Electrical Plug Strip
- Footrest



Plan View

SYMBIOTE®

www.symbiote.com

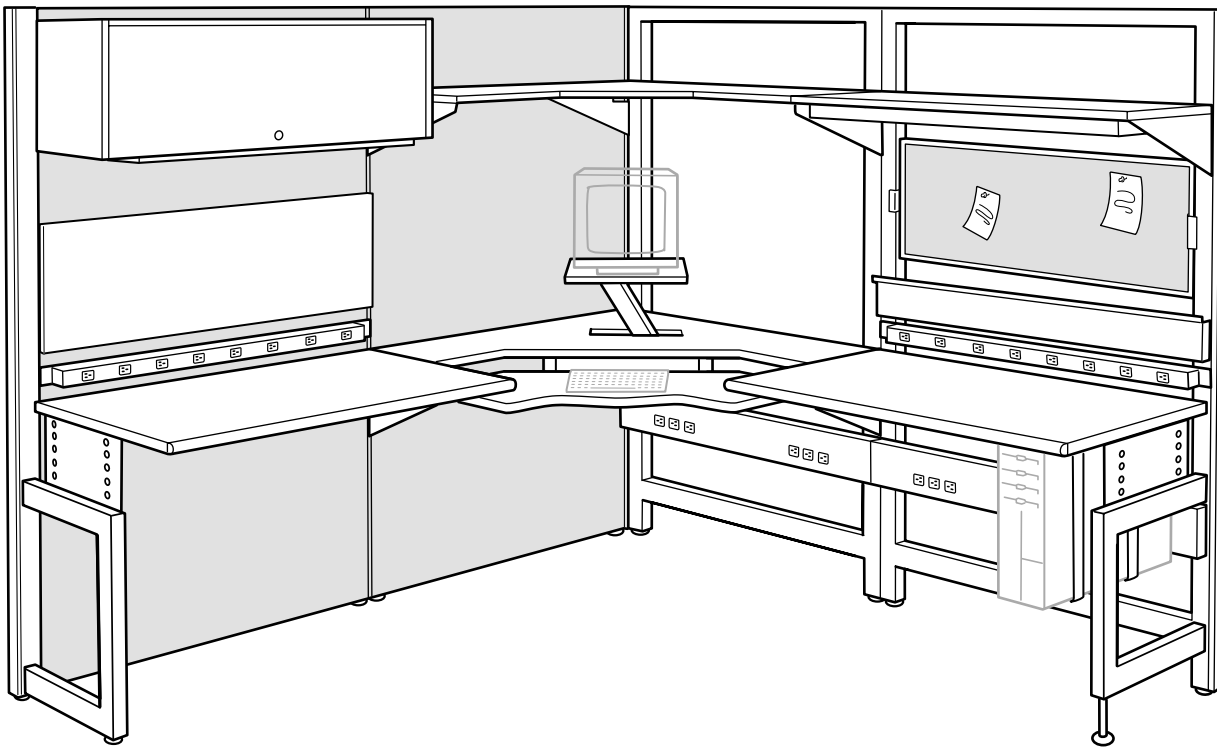
300 North Centennial Street
Zeeland, MI 49464 U.S.A.
800-283-2434

FF

Solutions

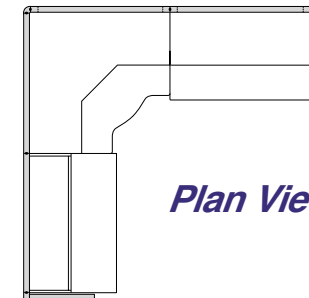
8' x 8' Engineering Station

80" h x 96" w x 96" w



Featured Components

- Ultra Frame and Fabric Panels
- Overhead Storage Cabinet
- PowerTop Adjustable Corner Work Surface
- Multiple Electrical Plug Strips
- Tackboards
- Shelves
- Corner Shelf
- Utility distributor, 8 wire, 3 circuit
- Bin Rail
- Vertical CPU Holder



Plan View

SYMBIOTE®

www.symbiote.com

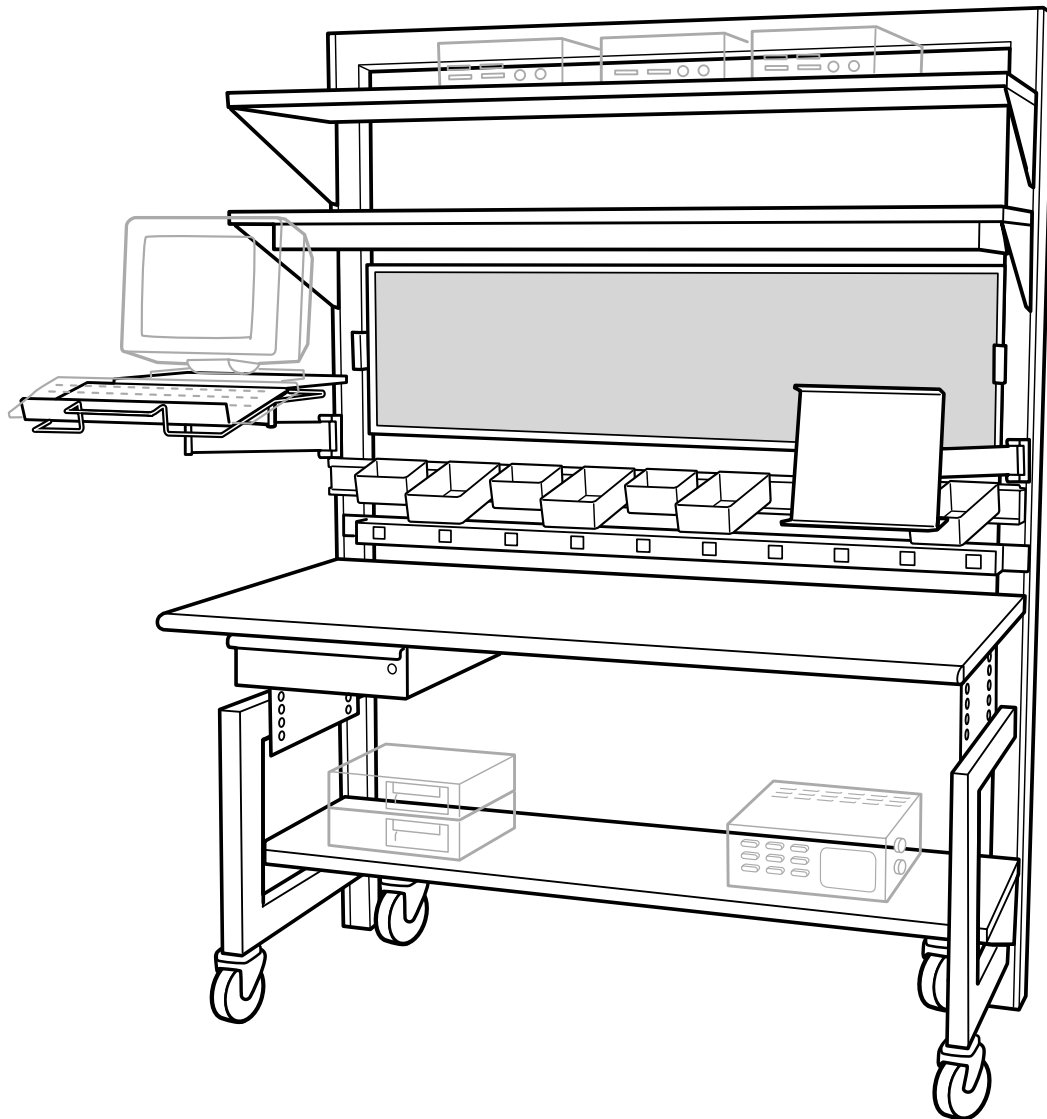
300 North Centennial Street
Zeeland, MI 49464 U.S.A.
800-283-2434

FF

Solutions

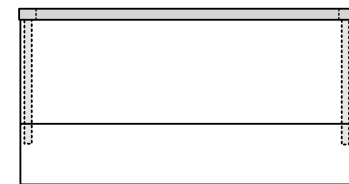
5' Assembly Station

80" h x 60" w



Featured Components

- Ultra Frame with Locking Casters
- Work Surface
- Electrical Plug Strip
- Dispensing Rail with Subcontainers
- Multi-function Shelves
- Tackboard
- Pivoting Arm Document Holder
- Pivoting Arm Monitor Tray with Keyboard
- Suspended Task Drawer, TD4
- Task Light



Plan View

SYMBIOTE®

www.symbiote.com

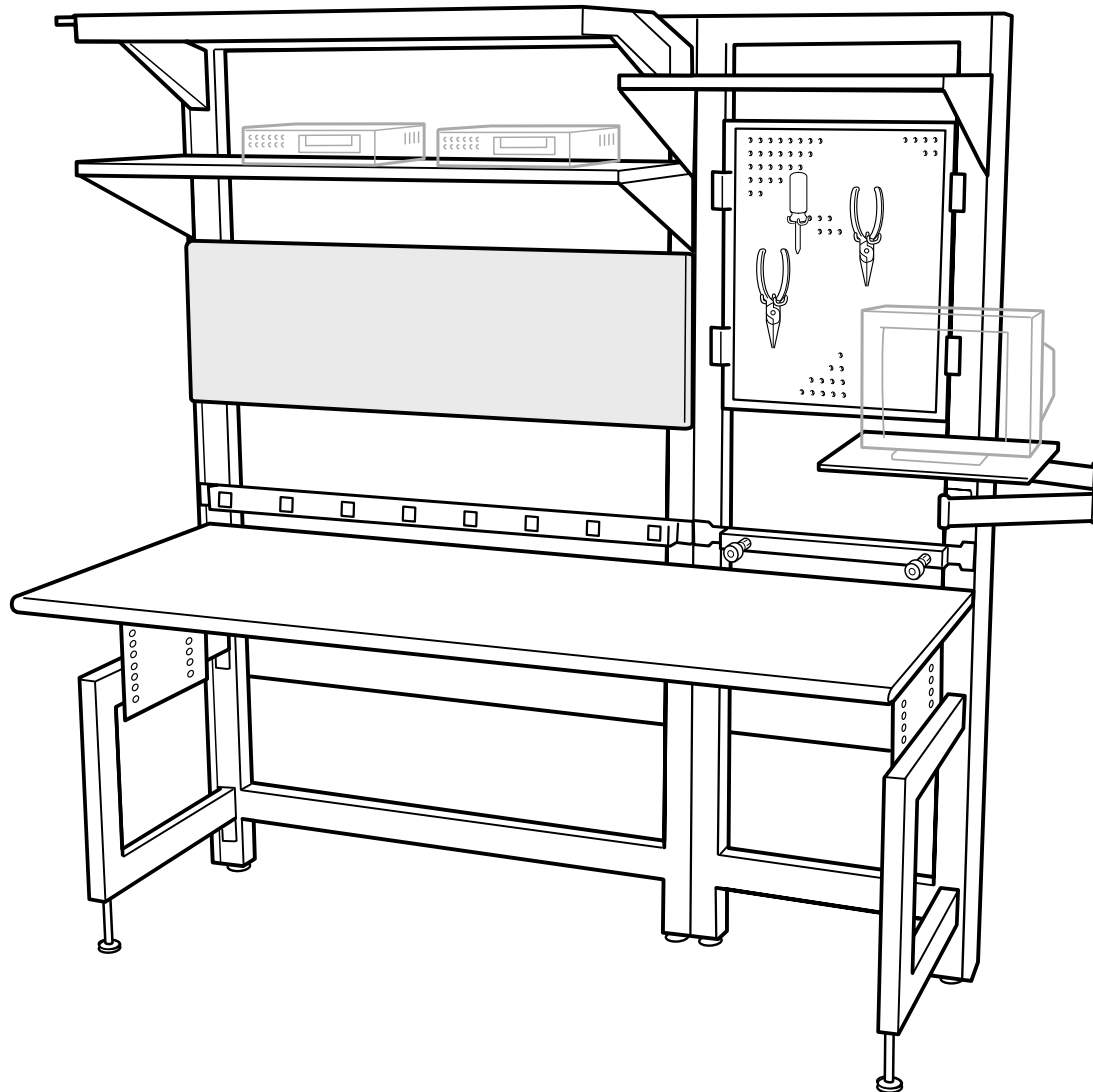
300 North Centennial Street
Zeeland, MI 49464 U.S.A.
800-283-2434

FF

Solutions

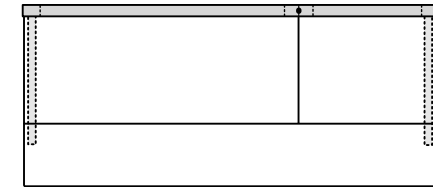
6' Test Bench

80" h x 72" w



Featured Components

- Ultra Frame with Glides
- Task Light with Cantilever Brackets
- Work Surface
- Electrical Plug Strip
- Air Strip with Quick Disconnect Fittings
- Multi-function Shelves
- Tackboard
- Peg Board
- Pivoting Arm Monitor Tray
- Cable Tray



Plan View

SYMBIOTE®

www.symbiote.com

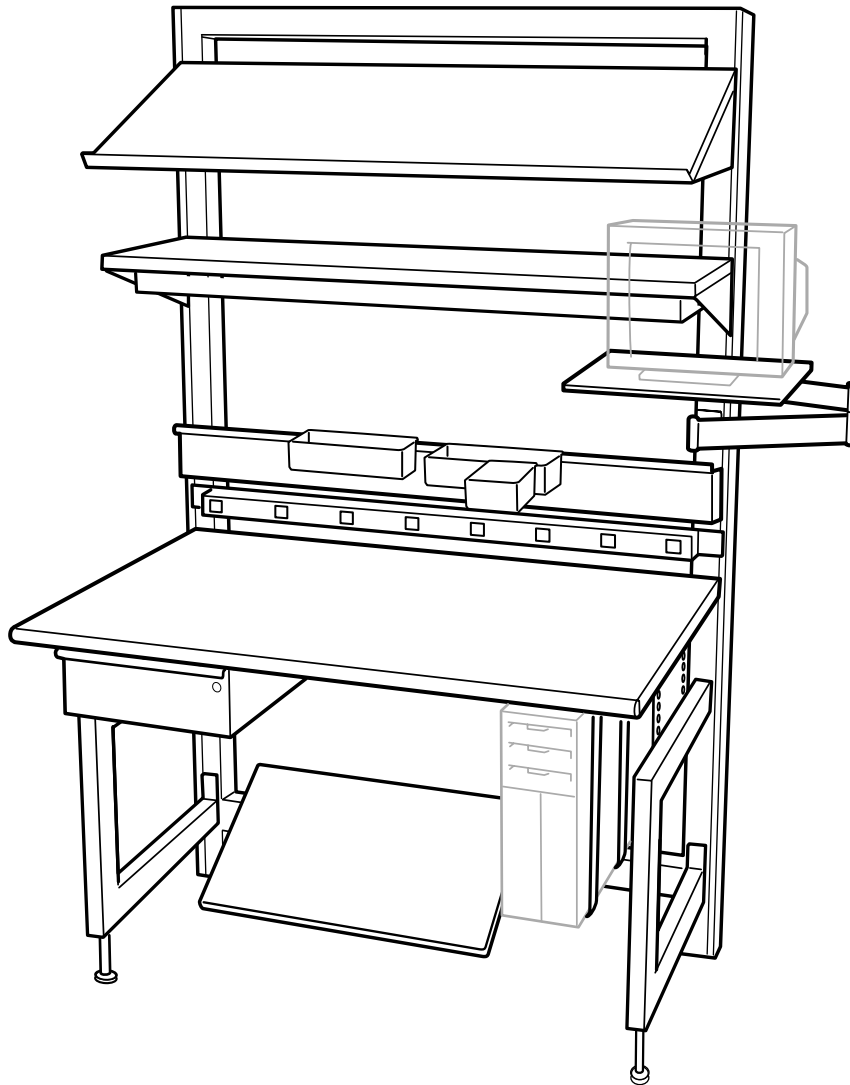
300 North Centennial Street
Zeeland, MI 49464 U.S.A.
800-283-2434

FF

Solutions

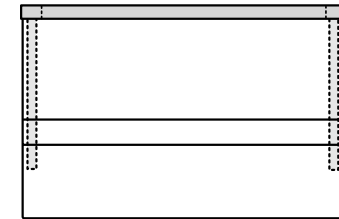
4' Assembly Station

80" h x 48" w



Featured Components

- Ultra Frame with Glides
- Work Surface
- Task Light
- Electrical Plug Strip
- Bin Rail with Tool Holders
- Pivoting Arm Monitor Tray
- Flat and Angled Shelves
- Vertical CPU Holders
- Suspended Footrest
- Suspended Task Drawer, TD6



Plan View



www.symbiote.com

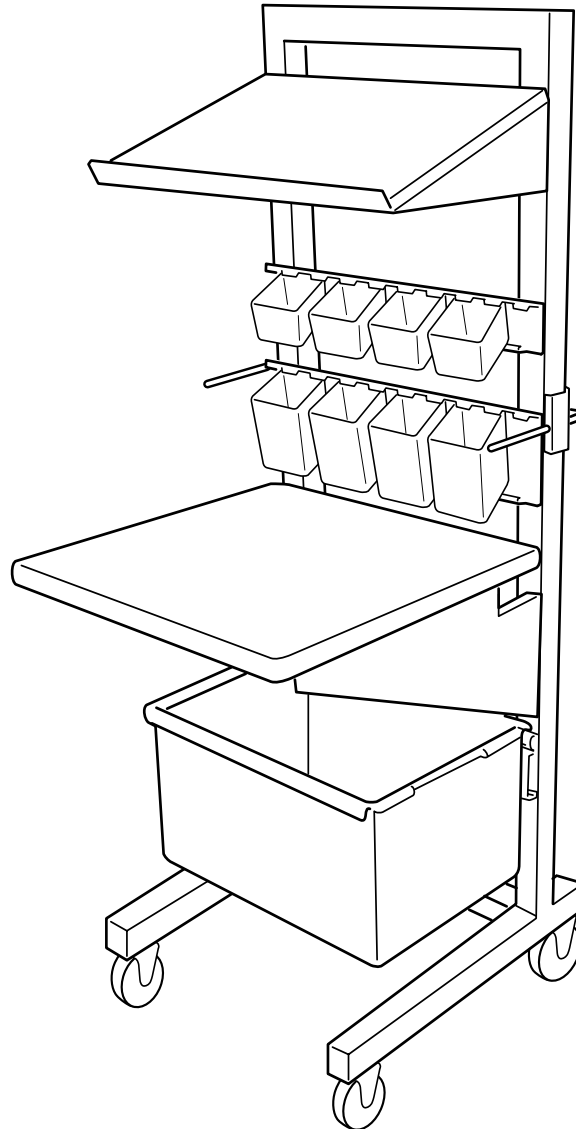
300 North Centennial Street
Zeeland, MI 49464 U.S.A.
800-283-2434

FF

Solutions

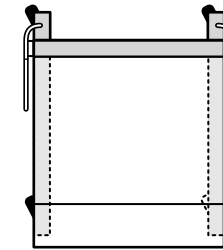
Manufacturing Cart

66" h x 24" w



Featured Components

- Mobile Frame with Handles
- Work Surface
- Tote Rail with Large Tote
- Dispensing Rail with Subcontainers
- Multi-angle Shelf



Plan View



www.symbiote.com

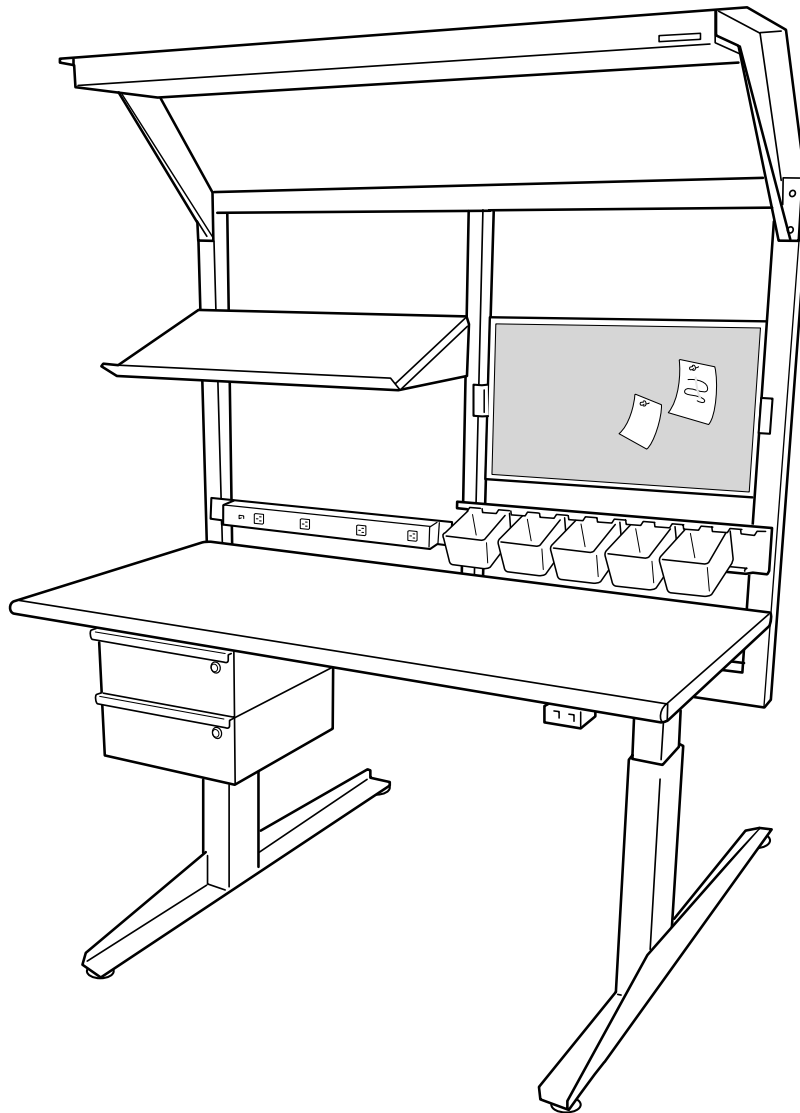
300 North Centennial Street
Zeeland, MI 49464 U.S.A.
800-283-2434

FF

Solutions

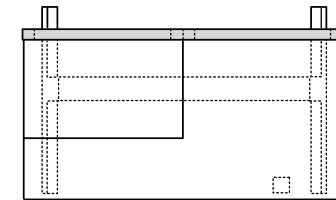
5' Height Adjustable Bench

60" Base / Surface



Featured Components

- ErgoStat Electric Height Adjustable Base with Glides
- Riser Frame and Riser Spine
- Work Surface
- Task Light with Cantilevered Bracket
- Multi-angle Shelf
- Tackboard
- Electrical Plug Strip
- Dispensing Rail with subcontainers
- Suspended Task Drawers, TD66



Plan View



www.symbiote.com

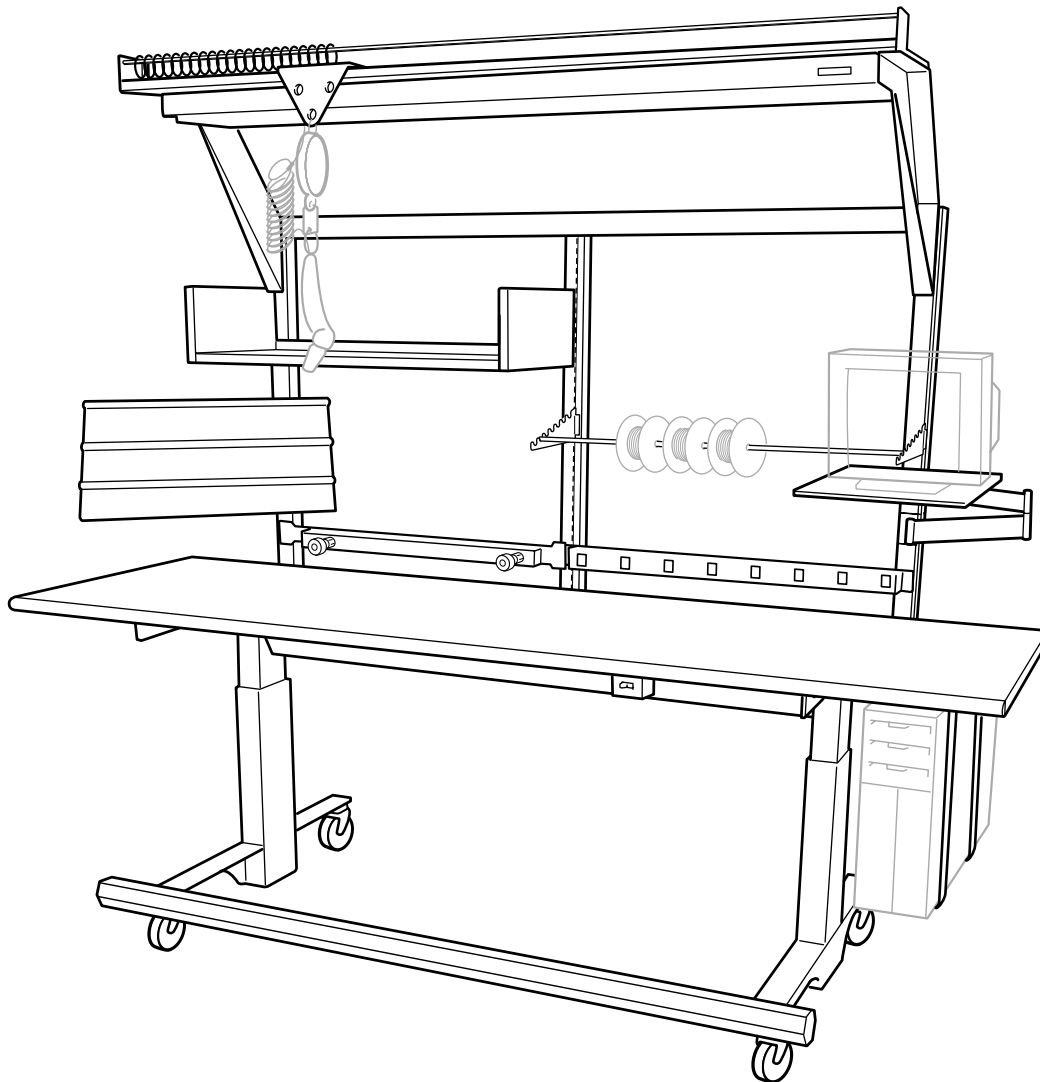
300 North Centennial Street
Zeeland, MI 49464 U.S.A.
800-283-2434

FF

Solutions

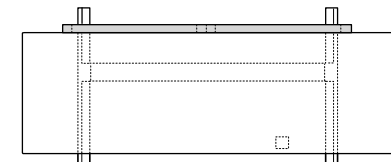
8' Height Adjustable Bench

72" Base / 96" Surface



Featured Components

- ErgoStat Electric Height Adjustable Base with Casters
- Riser Frame and Riser Spine
- Work Surface
- Industrial 4-inch Casters
- Task Light with Cantilevered Bracket
- Overhead Tool Traveler
- Low Shelf
- Electrical Plug Strip
- Air Strip
- Spool Holder
- 3-tier Bin Rail on Pivot Arm
- Pivoting Arm Monitor Tray
- Vertical CPU Holder
- Footrest Bar



Plan View



www.symbiote.com

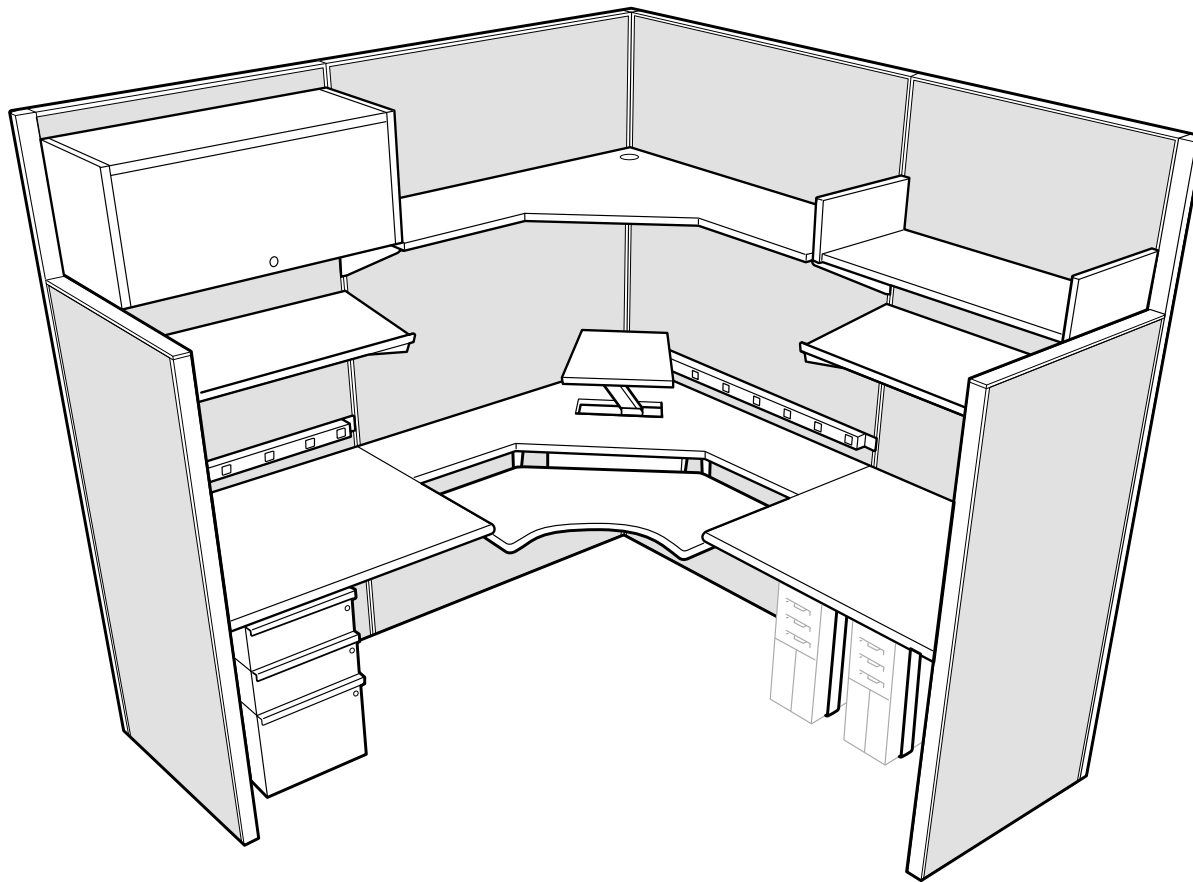
300 North Centennial Street
Zeeland, MI 49464 U.S.A.
800-283-2434

FF

Solutions

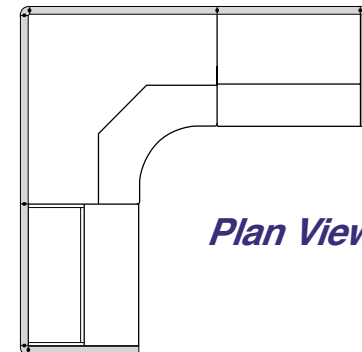
7' x 7' Dispatch Center

80" h x 84" w x 84" w



Featured Components

- Fabric Panels
- PowerTop Adjustable Corner Work Surface
- Overhead Storage Cabinet
- Corner Shelf
- General Purpose Shelves
- Low Shelf
- Multiple Electrical Plug Strips
- Suspended Task Drawers, TD6612
- Vertical CPU Holders



Plan View

SYMBIOTE®

www.symbiote.com

300 North Centennial Street
Zeeland, MI 49464 U.S.A.
800-283-2434



Technical Furniture and Infrastructure Solutions for the InBetween Workplace

www.symbiote.com

300 North Centennial Street

Zeeland, MI 49464

Voice: 616-772-1790

Fax: 616-772-1798

© Symbiote® Inc. 2003
All Rights Reserved
Printed in the U.S.A.
Item# PL008 02-03-2M/GPC